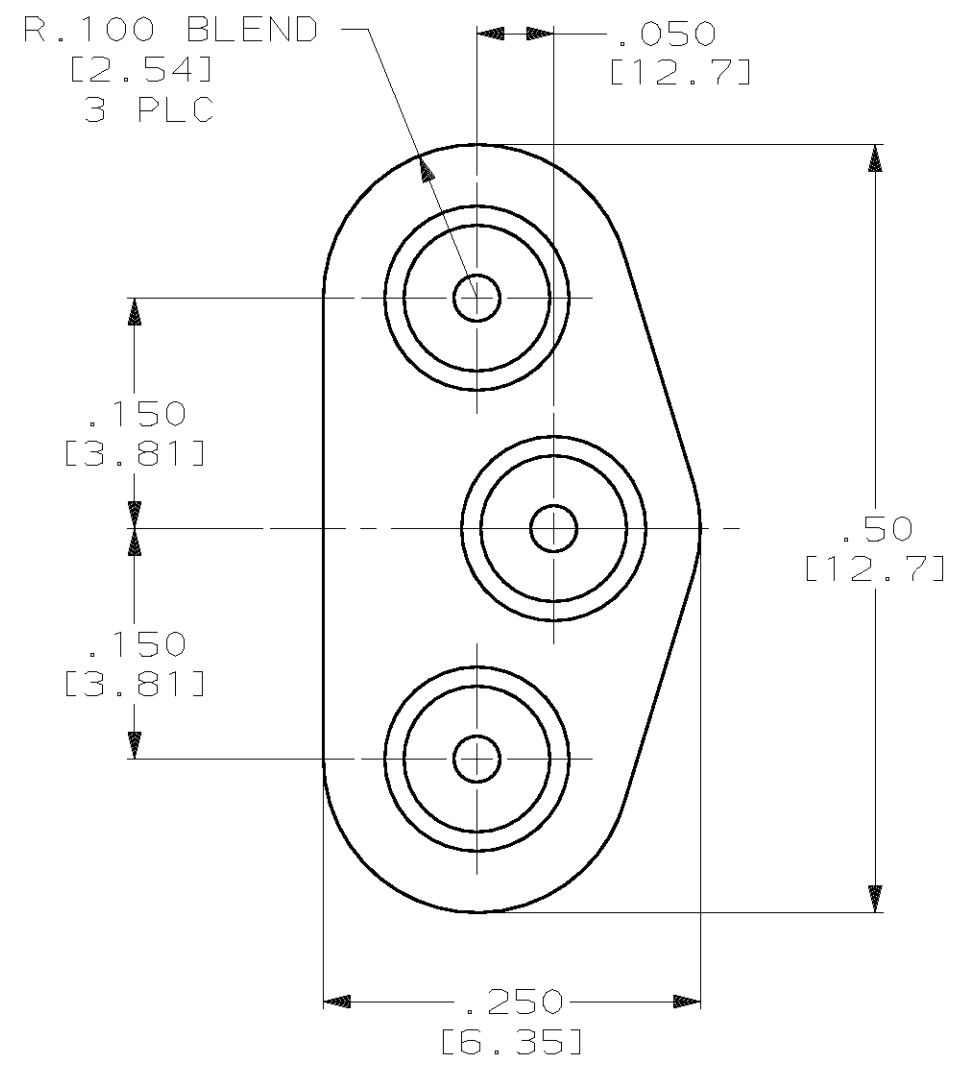
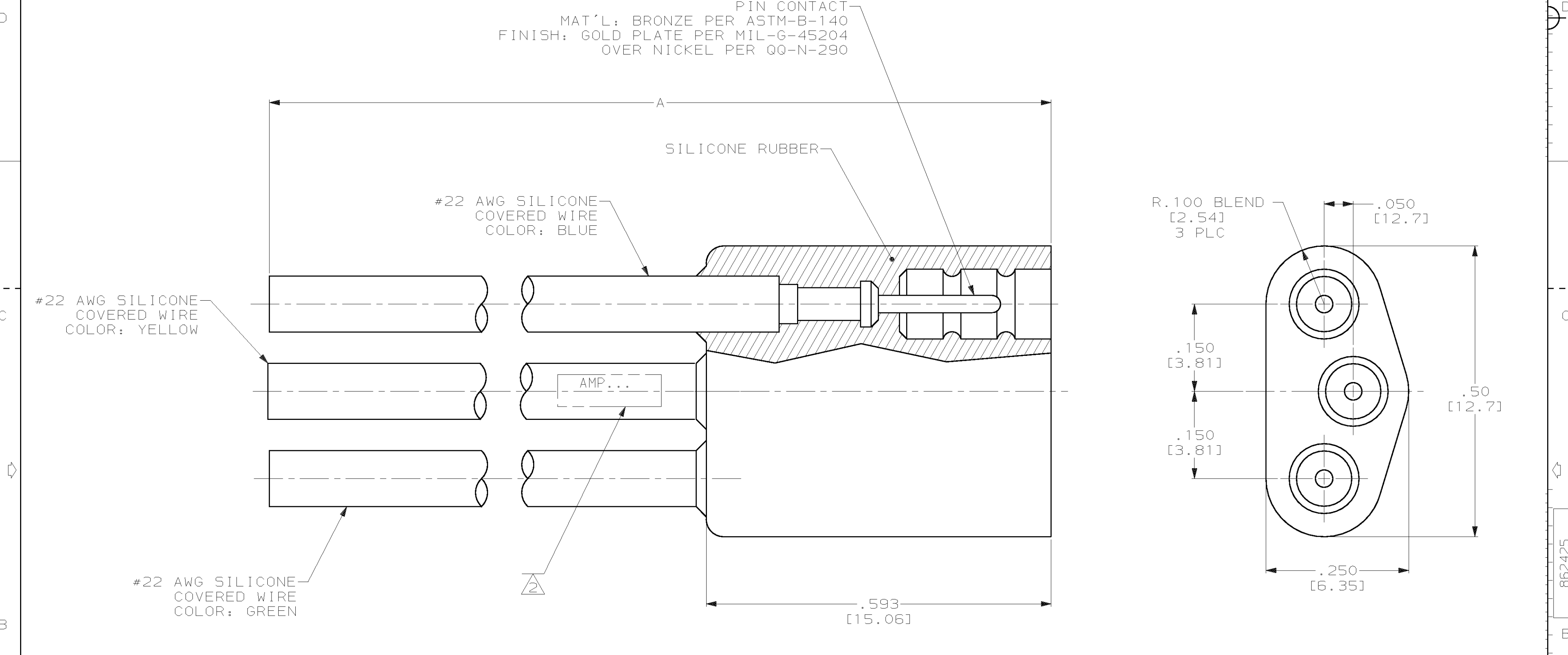


THIS DRAWING IS UNPUBLISHED. RELEASED FOR PUBLICATION
 © COPYRIGHT 19 BY AMP INCORPORATED. ALL INTERNATIONAL RIGHTS RESERVED.

REVISIONS									
LOC	DIST	P	F	ZONE	LTR	DESCRIPTION	DATE	APPD	
DF	50				H	REV & REDRAWN; 0600-7141-98	CT	1-99	DE



OBSOLETE	72.00 [1828.8]	862425-6
OBSOLETE	16.00 [406.4]	862425-5
	48.00 [1219.2]	862425-4
	24.00 [609.6]	862425-3
	18.00 [457.2]	862425-2
	12.00 [304.8]	862425-1
	DIM A	PART NO.

- TOLERANCE: UP TO 24.00 [609.6] = ±.12 [±3.0]
24.00 [609.6] & UP = ±1%
- MARKED PER MIL-STD-130 IN APPROX. AREA SHOWN.

DO NOT SCALE PRINT. UNLESS SPECIFIED DIMENSIONS IN INCHES [mm] TOLERANCES ON: 2 PLC DEC ± .01 [0.3] 3 PLC DEC ± .005 [0.13] ANGLES ± -	DR 1-29-99 C.C. THOMAS	AMP AMP Incorporated Harrisburg, PA 17105-3608
MATERIAL SEE CALLOUTS	CHK 1-29-99 D.EABY	
FINISH SEE CALLOUTS	APPD 1-29-99 D.EABY	NAME RCPT, LGH, 3 POSN, MICRO-MIN
	APPD 1-29-99 C.THOMAS	SIZE 00779
	PRODUCT SPEC -	DRAWING NO 862425
	APPLICATION SPEC -	SCALE 8:1
	WEIGHT -	SHEET 1 OF 1